

PRP-188

Heavy-Duty Thermal Receipt Printer

PRP-188 is a high-speed thermal receipt printer designed for high-duty tasks under harsh environments. With the durable housing and Water/Dust Proof design enable PRP-188 ideal for high-quality and mass printing tasks, especially retail stores and Fast Food applications.

With the Low-noise mechanism, PRP-188 can perform long-time printing and reduce the noise to the minimum. Multi I/O Interface, Easy maintenance and fascinating high-speed performance, PRP-188 is the best choice of high-quality demand solutions.



Feature



250 mm/sec High-Speed Print Engine
(Paper Auto-Cutter support)



Splash and Dust-Proof Housing

250
mm/sec
Thermal

Auto
Cutter

Multi-Fonts
Support

Vertical
Printing

ESC/POS
Compatible

Serial
Ethernet
USB

Water
Dust
Proof

- Splash and dust proof design
- Paper Auto-Cutter
- Vertical Printing
- Multi I/O Interface (Serial +Ethernet +USB or Parallel +USB)
- Cash drawer connection port (RJ-11)
- Compatible with ESC/POS print commands set
- Various Drivers available
- Drop-and-print paper installation with simple paper jam elimination
- Multiple Language fonts selectable

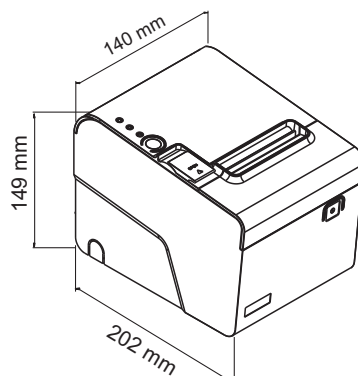
PRP-188

Heavy-Duty Thermal Receipt Printer

Specification

Model	PRP-188
General	
Print Method	Thermal line printing
Print Speed	250mm/sec
Print Life	100 Km
Print Resolution	576 dots/line or 512 dots/line
Print Font Character Support	International Font, Big 5 Chinese, GB Chinese, Japanese, Korean selectable
Print Font	ANK Font Font A: 12 x 24 dots Font B: 9 x 17 dots Chinese character: 24 x 24 dots
Effective Print Width	72mm
Paper Width	79.5mm± 0.5mm
Paper Roll Diameter	83mm
Paper Thickness	0.06~0.08mm
Driver	Win 9X/Win ME/Win 2000/ Win 2003/Win NT/Win XP/ Win Vista/Win 7/Win 8, compatible with EPSON and SAMSUNG
Print Command	ESC/POS print commands set
Auto Cutter	Full or Partial
Paper End Detection	Yes
Over-Heat Halt-on Protection	Yes
Interface	
Serial	Multi I/O Interface (Serial +Ethernet +USB or Parallel +USB)
Parallel	
USB	
Ethernet	
Cash Drawer	DC 24V/1A, 6-Wire RJ-11 Socket
Others	
Power Input	24VDC/2.0A (with External Adapter 100~240VAC 50/60Hz)
Color	Black
Compliance	FCC / CE / WEEE / RoHS
Weight	1600g (without cable)
Dimension (L x W x H:mm)	202 x 140 x 149
Operating Temperature	0°C~45°C
Operating Humidity	10% ~ 80% RH non-condensing
Storage Temperature	-10°C~ 60°C
Storage Humidity	10% ~ 90% RH non-condensing

Dimension



ISO-9002 Certified



CE FC

Beyond Mere POS

<http://www.fametech.com.tw>

TYSSO®